

TRIANGLE INDICATES POSITION 1

LEFT POLARIZING SLOT SEE TABLE

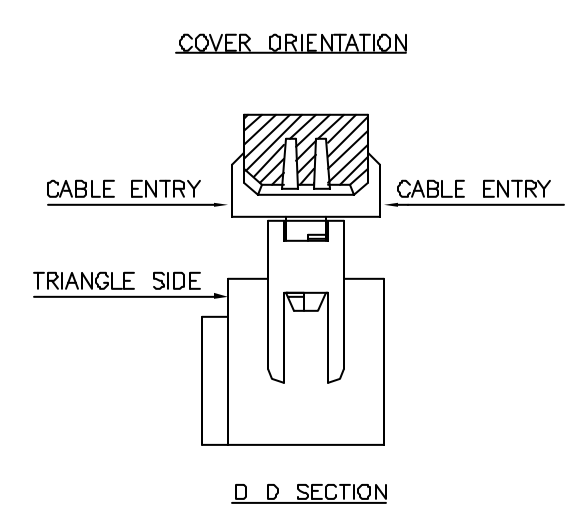
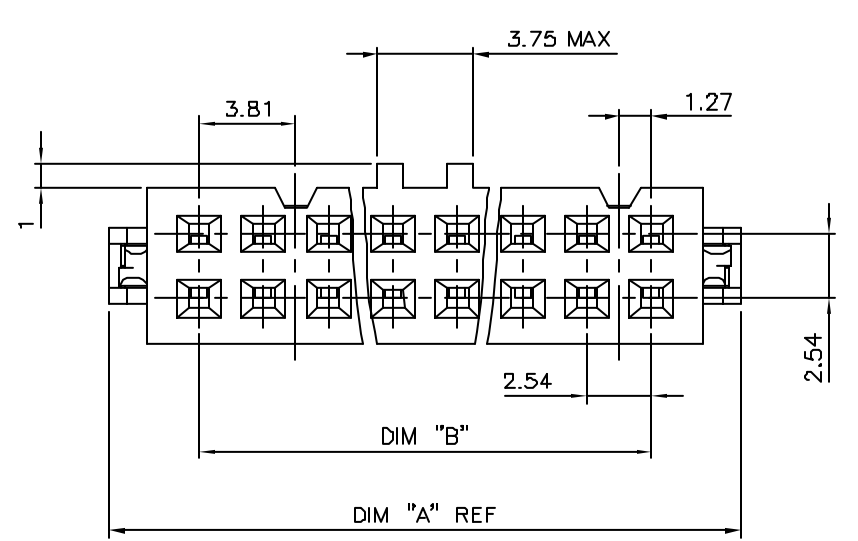
CENTRAL POLARIZING KEY

RIGHT POLARIZING SLOT SEE TABLE

PRODUCT NUMBER
77336-YXXLF

- LEAD FREE, SEE NOTE 5.
- TOTAL NB OF POSITION 04 TO 64 SEE SHEET 2
- OPTIONAL STRAIN RELIEF SEE SHEET 2

- NOTES:
- MATERIAL: BASE AND COVER: 30% GLASS FILLED POLYESTER FLAME RETARDANT PER UL-94-V0 COLOUR GREY
STRAIN RELIEF: UNREINFORCED THERMOPLASTIC FLAME RETARDANT PER UL-94-V0 COLOUR GREY
CONTACT: BERYLLIUM COPPER
 - PLATING: 0.76µm Au OVER 1.27 µm Ni MIN IN CONTACT AREA, REMAINDER OF PRODUCT (IDC PART) 1.27µm Ni MIN.
 - TRIANGLE NOT MOLDED-IN ON 2x2 AND 2x3 POSITIONS WITH CENTRAL KEY
 - FOR PRINTING SPECIFICATION SEE TA 812.
 - THIS PRODUCT MEETS EUROPEAN UNION DIRECTIVES AND OTHER COUNTRY REGULATIONS AS PER GS-22-008. PACKAGING SPECIFICATION AS PER GS-14-920.



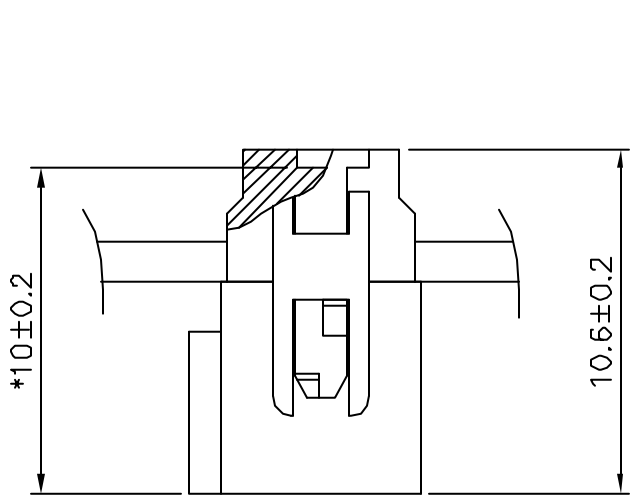
mat'l. code	surface	tolerance	projection	product family
SEE NOTES	ISO 1302	ISO 416 ISO 1101		2.54MM IDC
Ltr ecn no dr date	tolerance unless otherwise specified	angles	mm [inch]	title
X F08-0274 LMU 06.08.12	Linear XXX ±0.13		mm [inch]	QUICKIE III FEM
Y F06-0274 LMU 06.09.25	X.XXX ±0.05		scale 5:1	CuBe
T F20556 DLE 02.10.11 dr P NIZZI 94.02.11				dwg no
U F03019 DLE 03.01.23 engr JM PHAMVAN 93.03.25				sheet 1 of 2
V F04-0168 LMU 04.04.08 chr O MATHEVON 93.03.25				size
W F05-0109 JCO 05.01.17 appd JM P 94.02.10				Az
sheet revision Y V				type
index sheet 1 2				CUSTOMER Drawing

Copyright FCI

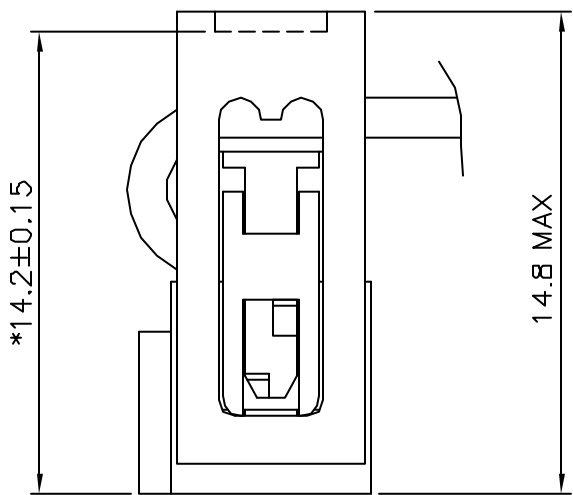
FCIconnect.com

PRODUCT NUMBER	SIZE	DIM "A"	DIM "B"	DIM "C"	DIM "S"	SLOT STYLE
77336-X04LF	2x 2	9.54	2.54	9.46	5.66	NO SLOT
77336-X06LF	2x 3	12.08	5.08	12.00	8.20	RIGHT IF NO KEY
77336-X08LF	2x 4	14.62	7.62	14.54	10.74	RIGHT IF NO KEY
77336-X10LF	2x 5	17.16	10.16	17.08	13.28	RIGHT SLOT
77336-X14LF	2x 7	22.24	15.24	22.16	18.36	RIGHT SLOT
77336-X16LF	2x 8	24.78	17.78	24.70	20.90	2 SLOTS
77336-X18LF	2x 9	27.32	20.32	27.24	23.44	2 SLOTS
77336-X20LF	2x 10	29.86	22.86	29.78	25.98	2 SLOTS
77336-X24LF	2x 12	34.94	27.94	34.85	31.06	2 SLOTS
77336-X26LF	2x 13	37.48	30.48	37.40	33.60	2 SLOTS
77336-X30LF	2x 15	42.56	35.56	42.48	38.68	2 SLOTS
77336-X34LF	2x 17	47.64	40.64	47.56	43.76	2 SLOTS
77336-X40LF	2x 20	55.26	48.26	55.18	51.38	2 SLOTS
77336-X44LF	2x 22	60.34	53.34	60.26	56.46	2 SLOTS
77336-X50LF	2x 25	67.96	60.96	67.88	64.08	2 SLOTS
77336-X60LF	2x 30	80.66	73.66	80.58	76.78	2 SLOTS
77336-X64LF	2x 32	85.74	78.74	85.66	81.86	2 SLOTS

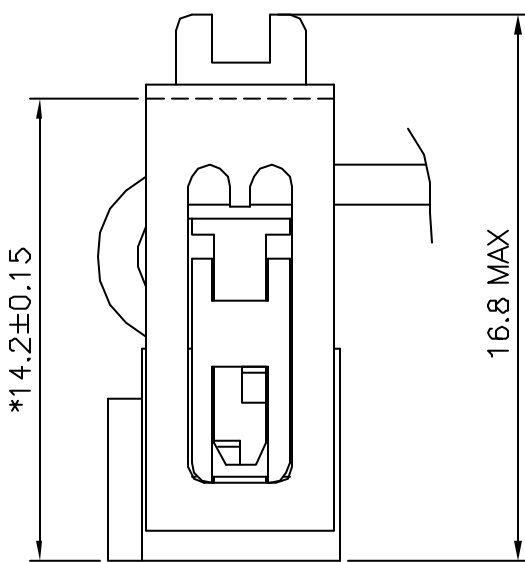
AFTER TERMINATION SIDE VIEW OF ASSEMBLY (* LATCHING DIM ON HEADER)



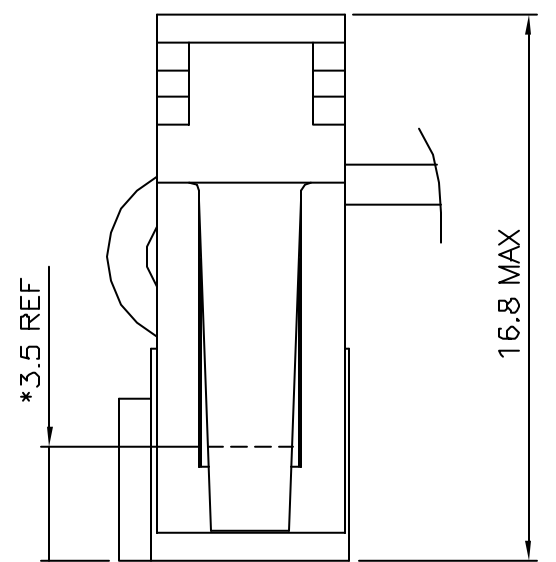
WITHOUT STRAIN RELIEF



WITH LOW PROFILE STRAIN RELIEF



WITH STANDARD STRAIN RELIEF



WITH LATCHING STRAIN RELIEF

77336-7YYLF		●			●	724	
77336-6YYLF	●				●	624	
77336-5YYLF		●		●		504 524 530	
77336-4YYLF		●		●			
77336-3YYLF		●	●			304	
77336-2YYLF	●			●		204 224 230	
77336-1YYLF	●			●			
77336-0YYLF	●		●			004	
PRODUCT NUMBER	WITH CENTRAL KEY	WITHOUT CENTRAL KEY	STANDARD STRAIN RELIEF	WITHOUT STRAIN RELIEF	LOW PROFILE STRAIN RELIEF	LATCHING	DASHES NOT AVAILABLE

mat'L code	surface	tolerance	projection	product family
	ISO 1302	ISO 416 ISO 1101	mm [inch]	QKIE FEM
ltr	ecr no	dr	date	title
P	F50100	PNZ	95.02.07	EURO QUICKIE
R	F10586	DLE	01.10.24	0.76 μm Au
S	F20194	DLE	02.04.10	scale N/A
T	F03019	DLE	03.01.23	dr P NIZZI 94.02.10
U	F06-027	LMU	06.09.12	engr JM PHAMVAN 94.02.10
V	F06-027	LMU	06.09.25	chr O MATHEVON 91.10.31
			appo JM P 94.02.10	FCJ
sheet index	revision sheet			dwg no 77336
				sheet 2 of - size A2
				type CUSTOMER Drawing